

MODEL: EW52NB

Cast Iron Wafer Type Butterfly Valve



TECHNICAL

ANSI Class 125 (200 PSI) CWP
Lever or Gear Operated Options
Notch Plate included w/ Lever Operator

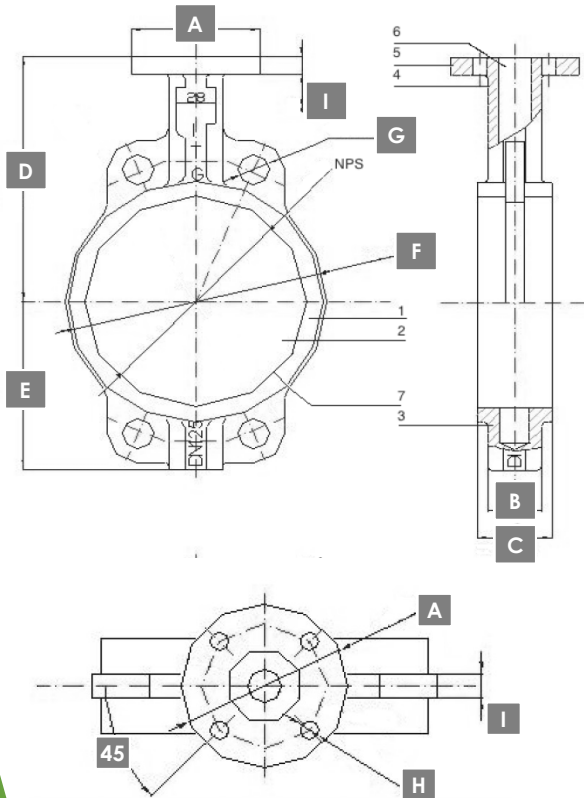
BILL OF MATERIALS

NO.	DESCRIPTION	MATERIAL
1	Body	Cast Iron
2	Disc	Ductile Iron (Ni Plated)
3	Seat	NBR
4	Stem	416 Stainless Steel
5	Position Plate	Steel-Chrome Plate
6	Bushing	PTFE
7	Seal (O-Ring)	Buna-N
8	Handle	Malleable Iron

STRONG

RELIABLE

TOUGH



DIMENSIONAL DATA

SIZE	2"	3"	4"	5"	6"	8"	10"	12"
in/mm	50	80	100	127	150	200	250	300
A	3	3	3.6	3.6	3.6	4.9	4.9	5.5
in/mm	77	77	92	92	92	125	125	140
B	1.3	1.3	1.5	1.5	1.7	1.9	2	2.3
in/mm	33	33	38	38	44	48	51	58
C	1.7	1.8	2	2.2	2.2	2.4	2.7	3.1
in/mm	43	46	52	56	56	60	68	78
D	4.9	6	6.7	7.3	7.8	9.1	10.3	11.9
in/mm	124	152	171	185	197	231	262	303
E	3.1	3.8	4.5	5	5.5	6.9	8	9.2
in/mm	80	95.3	114.3	127	139.7	174	203	234
F	3.8	5	6.2	7.4	8.4	10.5	12.8	15.7
in/mm	96	127	157.5	187	213.5	266	326	400
G	0.8	0.8	0.8	0.9	0.9	0.9	1	1
in/mm	19.1	19.1	19.1	22.4	22.4	22.4	25.4	25.4
H	0.3	0.3	0.4	0.4	0.4	0.5	0.5	0.5
in/mm	7	7	10	10	10	12	12	12
I	0.4	0.4	0.4	0.5	0.5	0.7	0.7	0.7
in/mm	10	10	10	13	13	19	19	19
WEIGHT	6	8	12	16	19	30	49	69
lbs/kgs	2.7	3.6	5.4	7.3	8.6	13.6	22.2	31.3

Predator Valve makes every effort to ensure the information presented on our literature accurately reflects product specifications. However, as changes occur, there may be short-term differences between actual product specifications and the information shown on our literature. The above technical data is for reference only.