

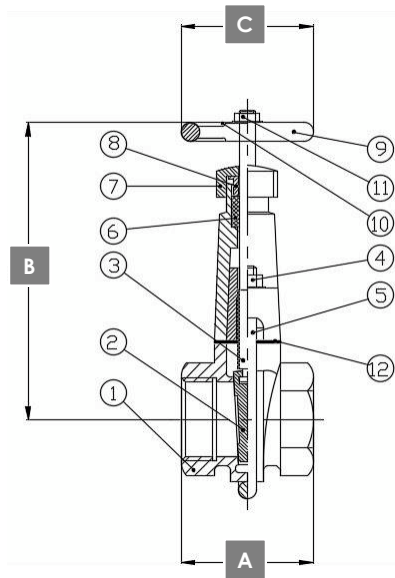
MODEL: TB52TS

Cast Iron Clip Gate Valve



TECHNICAL

200 PSI · Rising Stem ·
Threads conform to ANSI B1.20.1



BILL OF MATERIALS

NO.	DESCRIPTION	MATERIAL
1	Body	ASTM A126 Class B Cast Iron
2	Disc	ASTM A126 Class B Cast Iron
3	Stem	410 Stainless Steel
4	Joint Nut	A307B CIB Steel
5	U-Ring	A307B CIB Steel
6	Packing	Graphite
7	Gland Nut	WCB
8	Gland	410 Stainless Steel
9	Handle	ASTM A126 Class B Cast Iron
10	Aluminum Plate	Aluminum
11	Handle Nut	Steel
12	Joint Gasket	Graphite

DIMENSIONAL DATA

SIZE		A		B		C		WEIGHT	
in	mm	in	mm	in	mm	in	mm	lbs	kgs
2"	50	3.7	95	9.1	230	3.9	100	11	5
3"	80	4.6	116	11.8	300	5.8	147	24.3	11
4"	100	5.9	150	14.2	360	7.9	200	47.4	21.5

Predator Valve makes every effort to ensure the information presented on our literature accurately reflects product specifications. However, as changes occur, there may be short-term differences between actual product specifications and the information shown on our literature. The above technical data is for reference only.

TOUGH
RELIABLE
STRONG